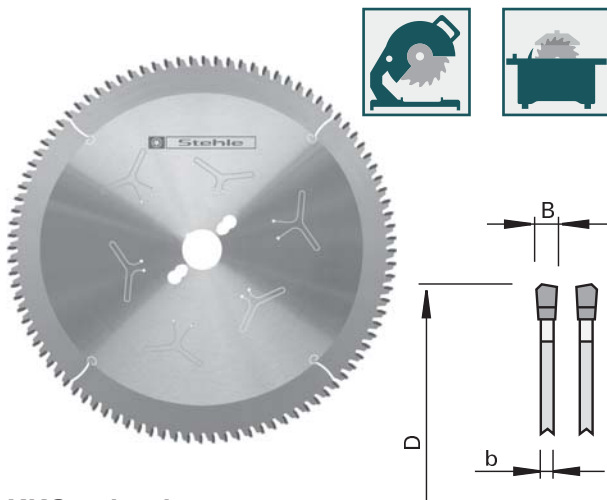


Stehle Product Information

KKS - PLASTIC & KKS - HARD PLASTIC CHOP SAW BLADES HW FOR PLASTIC PROFILES



KKS - plastic
Chop Saw Blades HW, „WS-FA“

Machine / Application / Design / Advantages

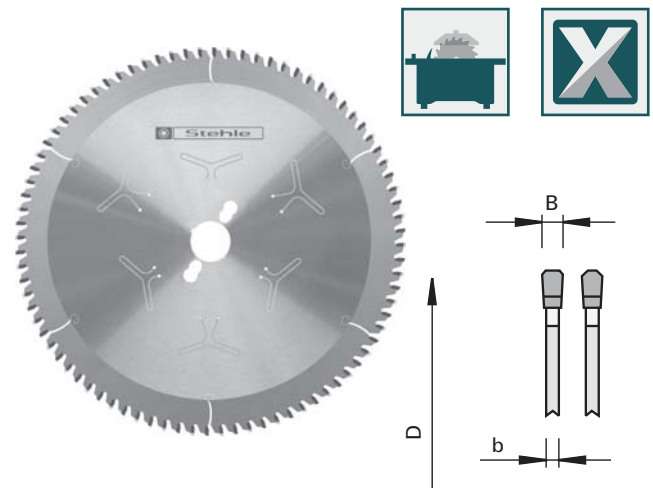
- clipping and miter saws
- table saws
- for dividing and miter cuts in plastic profiles made from PVC, acrylics, plexiglass, thermosetting plastics, PE, PA, PU, etc.
- tooth configuration: alternate top bevel - with chamfer „WS-FA“
- cutting material: HW TC10 from Ø 250 TC06
- noise-reduction thanks to laser ornaments

Material suitability



excellently suited for:
hermoplastic, thermoset,
elastomeres, composite materials

Ø D [mm]	B [mm]	b [mm]	Ø d [mm]	Z	NL	Hook angle [°]	Order-No.
160	2,2	1,6	20	48		-3	58116000
190	2,2	1,6	30	54		-3	58116001
216	2,8	2,2	30	60		-3	58116002
232	2,8	2,2	30	72		-3	58116003
250	2,8	2,2	30	80	Combi3	-3	50808500
300	2,8	2,2	30	96	Combi3	-3	50808501
350	2,8	2,2	30	100	Combi3	-3	50808502



KKS - hard plastic
Chop Saw Blades HW, „TR-F-FA“

Machine / Application / Design / Advantages

- table saws
- for dividing and miter cuts in plastic profiles made from Corian, Varicor, Trespa, laminate, etc.
- for extremely hard plastic profiles
- tooth configuration: triple chip / flat with two-sided chamfer „TR-F-FA“
- cutting material: HW TC06
- noise-reduction thanks to laser ornaments

Material suitability



excellently suited for:
hermoplastic, thermoset,
elastomeres, composite
materials



well suited for:
acrylic resin boards, gypsum
boards, cement bound boards,
thermosetting plastics, composite
materials

Ø D [mm]	B [mm]	b [mm]	Ø d [mm]	Z	NL	Hook angle [°]	Order-No.
250	3,2	2,5	30	72	Combi3	0	50808600
300	3,2	2,5	30	84	Combi3	0	50808601

*Combi3 matches: NL 2/10/60 and 2/9/46 and 2/9,5/46,5 and 2/7/42

Contact
Stehle

T +49 (0) 7451 / 93 222
F +49 (0) 7451 / 93 444

Date 02/2016

info@stehle-int.com
www.stehle-int.com