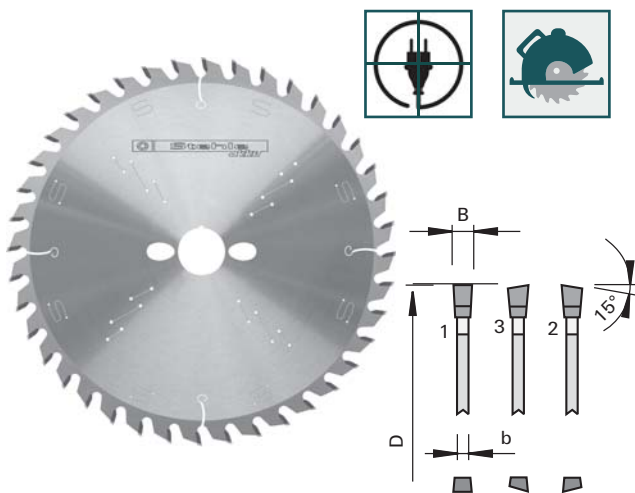


## Stehle Product Information

# STEHLE CORDLESS ON THE CONSTRUCTION SITE

with our HKS-Solid & HKS Unisteel for cordless portable saws



### HKS - Solid Portable Saw Blades HW „F-WS“

#### Machine / Application / Design / Advantages

- cordless portable saws
- or ripping and cross cuts in solid woods
- tooth configuration: fl at tooth with alternate top bevel "F-WS"
- cutting material: HW TC10
- low power consumption thanks to reduced kerf
- wireless on the construction site

#### Material suitability

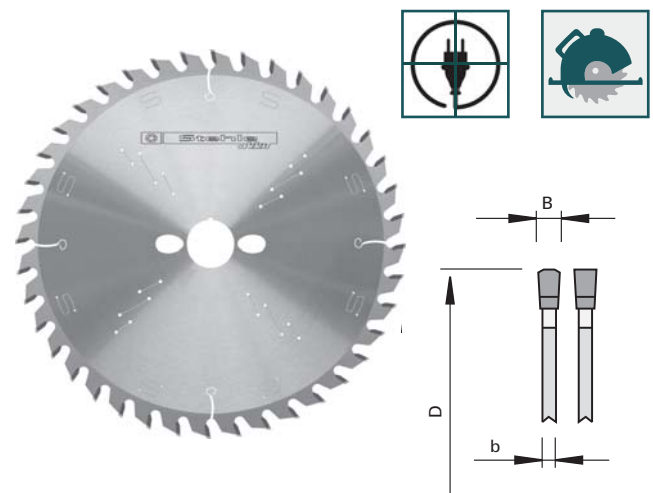


Excellently suited for:  
materials in formwork construction,  
facade & roofing, seals & insulation,  
wall & ceiling, acoustics/sound insulation,  
flooring



Excellently suited for:  
for solid wood and soft wood  
products, raw wood, glued solid  
wood, thermal wood, dried hard  
wood, dried soft wood, cork

Ø D [mm]	B [mm]	b [mm]	Ø d [mm]	Z	NL	Hook angle [°]	Order-No.
136	1,8	1,0	20	18	Dewalt	20	58110400
136	1,5	1,0	20	24	Dewalt	20	58110401
160	1,6	1,0	20	18	Mafell,	20	58110413
					Festool		
165	1,5	1,0	20	18	Makita,	20	58110402
					Dewalt		
165	1,5	1,0	20	24	Makita,	20	58110403
					Dewalt		
165	1,6	1,0	20	36	Makita,	20	58110404
					Dewalt		
165	1,6	1,0	5/8	40		15	58110405
184	1,6	1,0	16	56	Dewalt	15	58110406
190	1,8	1,0	20	48	Dewalt	15	58110407
210	1,8	1,4	30	60	Dewalt	15	58110408
216	2,0	1,4	30	24	Dewalt	20	58110409
216	2,0	1,4	30	36	Dewalt	20	58110410
216	2,0	1,4	30	60	Dewalt	15	58110411
250	2,2	1,6	30	24	Dewalt	20	58110412



### HKS - Unisteel Portable Saw Blades HW „TR-F“

#### Machine / Application / Design / Advantages

- cordless portable saws
- for dividing cuts in metals and NF-metals (zinc) plates, cast iron, etc.
- tooth configuration: triple chip with fl at tooth "TR-F"
- cutting material: HW TCm13
- low power consumption thanks to reduced kerf
- wireless on the construction site

#### Material suitability



Excellently suited for:  
aluminum, NF-metals,  
composite materials



Excellently suited for:  
OSB, laminated particle board,  
MDF, wood fiber boards, HDF,  
WPC, lightweight panels,  
composite materials

Ø D [mm]	B [mm]	b [mm]	Ø d [mm]	Z	NL	Hook angle [°]	Order-No.
136	1,5	1,2	20	36	Dewalt	0	58116400
165	1,5	1,2	20	40	Makita,	0	58116401
					Dewalt		