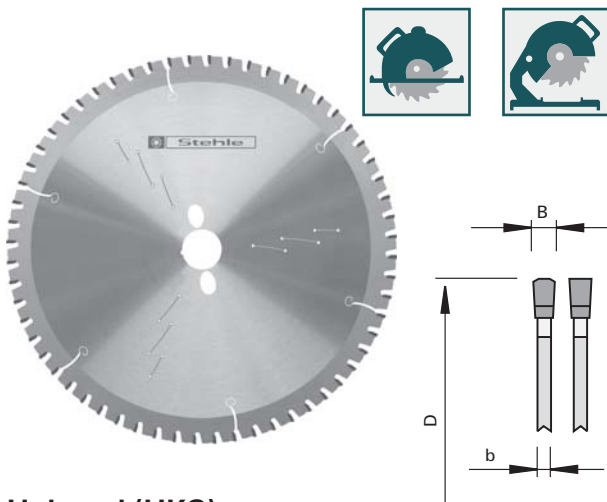


Stehle Product Information

UNISTEEL

NF-CHOP SAWBLADES HW & COP SAW BLADES HW FOR METAL



Unisteel (HKS)
NF-Chop Saw Blades HW, „TR-F“

Machine / Application / Design / Advantages

- clipping and miter saws
- special machines
- for dividing and miter cuts in metals and NF-metals (zinc) plates, cast iron, etc.
- tooth configuration: triple chip / flat "TR-F"
- cutting material: HW Tcm 13
- improved cutting quality thanks to special cutting geometry
- reduced edge lives in the case of stainless steel

Material suitability

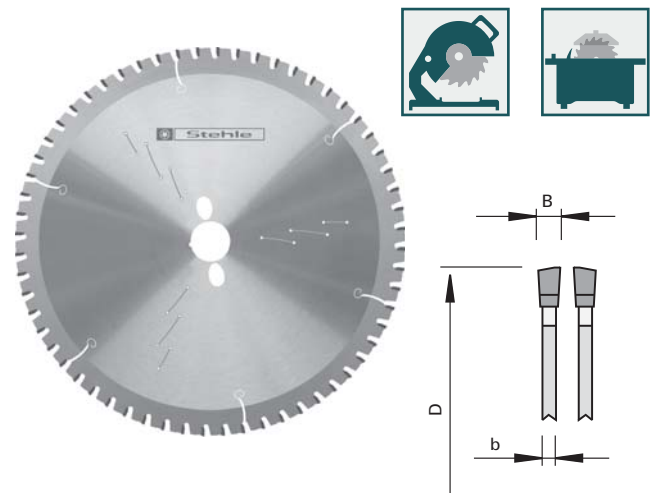


excellently suited for:
aluminum, NF-metals,
composite materials



well suited for:
facade & roofing, seals and insulation
wall and ceiling, acoustics / sound
insulation, flooring

Ø D [mm]	B [mm]	b [mm]	Ø d [mm]	Z	NL	Hook angle [°]	Order-No.
150	2,2	1,6	20	30	2/6/32,5	0	58116502
160	2,2	1,6	20	30	2/6/32,5	0	58116504
180	2,2	1,6	20	36	2/7/42	0	58116508
190	2,4	1,8	20	38	2/6/32,5	0	58116509
190	2,4	1,8	30	38	2/7/42	0	58116510
200	2,4	1,8	30	40	2/7/42	0	58116511
210	2,4	1,8	30	40	2/7/42	0	58116512
216	2,4	1,8	30	40	2/7/42	0	58116520
230	2,4	1,8	30	44	2/7/42	0	58116514
235	2,4	1,8	30	44	2/7/42	0	58116521
240	2,4	1,8	30	44	Combi3	0	58816515



Unisteel
Chop Saw Blades HW for metal, „F-WFA“

Machine / Application / Design / Advantages

- table saws
- clipping and miter saws
- for dividing and miter cuts in metals and NF-metals (zinc) plates, cast iron, etc..
- tooth configuration: flat with alternating chamfer "F-WFA"
- cutting material: HW Tcm 13
- improved cutting quality thanks to special cutting geometry
- reduced edge lives in the case of stainless steel

Material suitability



well suited for:
steel, sheets, profile, block
material, composite materials



well suited for:
thermoplastics, thermosetting
plastics, elastomers, composite
materials

Ø D [mm]	B [mm]	b [mm]	Ø d [mm]	Z	NL	Hook angle [°]	Order-No.
254	2,4	1,8	30	48	Combi3	0	58165001
260	2,5	1,8	30	60	Combi3	0	58165010
270	2,6	2,2	30	54	Combi3	0	58116517
305	2,6	2,2	30	60	Combi3	0	58165002
330	2,6	2,2	30	54	Combi3	0	58165005
355	2,6	2,2	30	80	Combi3	0	58165003
400	2,6	2,2	30	84	Combi3	0	58165004
450	2,6	2,2	30	90	Combi3	0	58165006

*Combi3 matches 2/10/60 and 2/9/46 and 2/9,5/46,5 and 2/7/42

Contact
Stehle

T +49 (0) 7451 / 93 222
F +49 (0) 7451 / 93 444

Date 05/2017

info@stehle-int.com
www.stehle-int.com